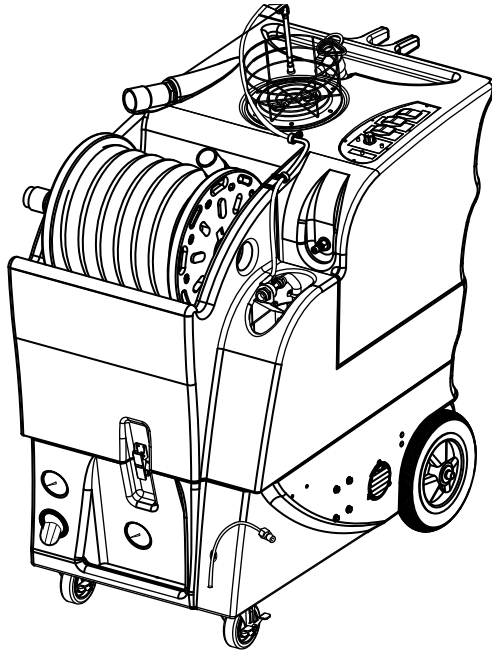




# KING COBRA® 1200 PRO

## 120V



## INFORMATION & OPERATING INSTRUCTIONS

**DO NOT OPERATE THE MACHINE UNTIL YOU HAVE READ  
ALL SECTIONS OF THE INSTRUCTIONS**

**IMPROPER USE OF THE MACHINE WILL VOID THE WARRANTY**

1. **DANGER: High spraying pressure may cause severe injury.** Always wear safety glasses. Keep hands & feet away from spray. Never direct the spray towards people or pets.
2. Never allow the spray to remain fixed in one spot.
3. Before each use, remove the spray tool from the hose, and check to make sure the spray nozzle is securely tightened to the spray tool. A loose nozzle could fly off during use.
4. If a leak occurs at the hose, IMMEDIATELY turn the machine off. Replace hose before restarting.
5. **Always** use a **defoamer** when foaming occurs to prevent vacuum motor damage.
6. Keep the machine from rain and snow, extremes in temperatures, and store it in a heated location. Use the machine indoors. Do not use outdoors.

## IMPORTANT SAFETY INSTRUCTIONS

This machine is only suitable for commercial use, for example in hotels, schools, hospitals, factories, shops and offices other than normal residential housekeeping purposes.

When using any electrical appliance, basic precautions should always be followed, including the following:

**NOTE:** Read all instructions before using this machine.

### **WARNING!**

To reduce the risk of fire, electric shock, or injury:

- Do not leave the machine unattended when it is plugged in. Unplug the unit from the outlet when not in use and before servicing.
- To avoid electric shock, do not expose to rain or snow. Store, and use, indoors.
- Do not allow to be used as a toy. Close attention is necessary when used near children.
- Use only as described in this manual. Use only the manufacturer's recommended attachments.
- Never add water over 130 °F/54 °C to the solution tank.
- Do not use with damaged cord or plug. If the machine is not working as it should, has been dropped, damaged, left outdoors, or dropped into water return it to a service center.
- Do not pull by the cord, use the cord as a handle, close a door on the cord, or pull the cord around sharp edges or corners. Do not run the machine over the cord. Keep the cord away from heated surfaces. To unplug, grasp the plug, not the cord.
- Do not handle the plug, the cord, or the machine with wet hands.
- Extension cords must be 12/3 and no longer than 50 feet. Replace the cord or unplug immediately if the ground prong becomes damaged.
- Do not put any object into openings. Do not use with any opening blocked; keep free of dust, lint, hair, and anything that may reduce air flow.
- Keep loose clothing, hair, fingers, and all parts of body away from openings and moving parts.
- Do not pick up anything that is burning or smoking, such as cigarettes, matches, or hot ashes, or any health endangering dusts. Do not use the machine to pick up flammable or combustible liquids such as gasoline or use it in areas where they may be present.
- Turn off all controls before unplugging.
- Use extra care when cleaning on stairs.
- Connect to a properly grounded outlet only.
- Liquid ejected at the spray nozzle could be dangerous as a result of its temperature, pressure, or chemical content.

## **INSPECTION:**

Carefully unpack and inspect your KING COBRA-1200 PRO for shipping damage. Each machine is tested and inspected before shipping. Any shipping damage incurred is the responsibility of the carrier. You should notify the carrier immediately if you notice damage to the box or to the machine or parts.

## **CLEANING SOLUTIONS:**

Select a proper pre-spray for the surface to be cleaned, and apply the pre-spray. Use a neutral pH rinse or detergent (6 to 9 pH) in the King Cobra to prevent premature wear of the pumps, seals, and other components. Damage caused by the use of improper or strong chemicals is not covered by warranty. When cleaning carpets with the 500 psi pump, we recommend our Magic Fabric Cleaner. Powders are not recommended.

## **MAINTENANCE:**

For optimum performance, flush the machine with clear water at the end of each working day. Once a month, minimum, run a flushing compound through the machine to break up any mineral or chemical build-up that may have formed. U.S. Products "X-1500" is recommended. The vacuum motor, pump motors, and the pumps do not require any scheduled maintenance; however, the motors may require replacement brushes after 1000 - 1500 hours, and the high pressure pumps and unloader valves may require rebuild kits after 500 -1000 hours (refer to machine part list for numbers). Clean the body with an all purpose detergent, and protect it with an automobile interior polish. Lubricate the wheels, castors, and quick disconnects with an all purpose silicone spray.

**Record the serial number and model of your new extractor here:**

*(and be sure to register your purchase to activate your warranty)*

Serial Number: \_\_\_\_\_ Model: **KING COBRA-1200 PRO**

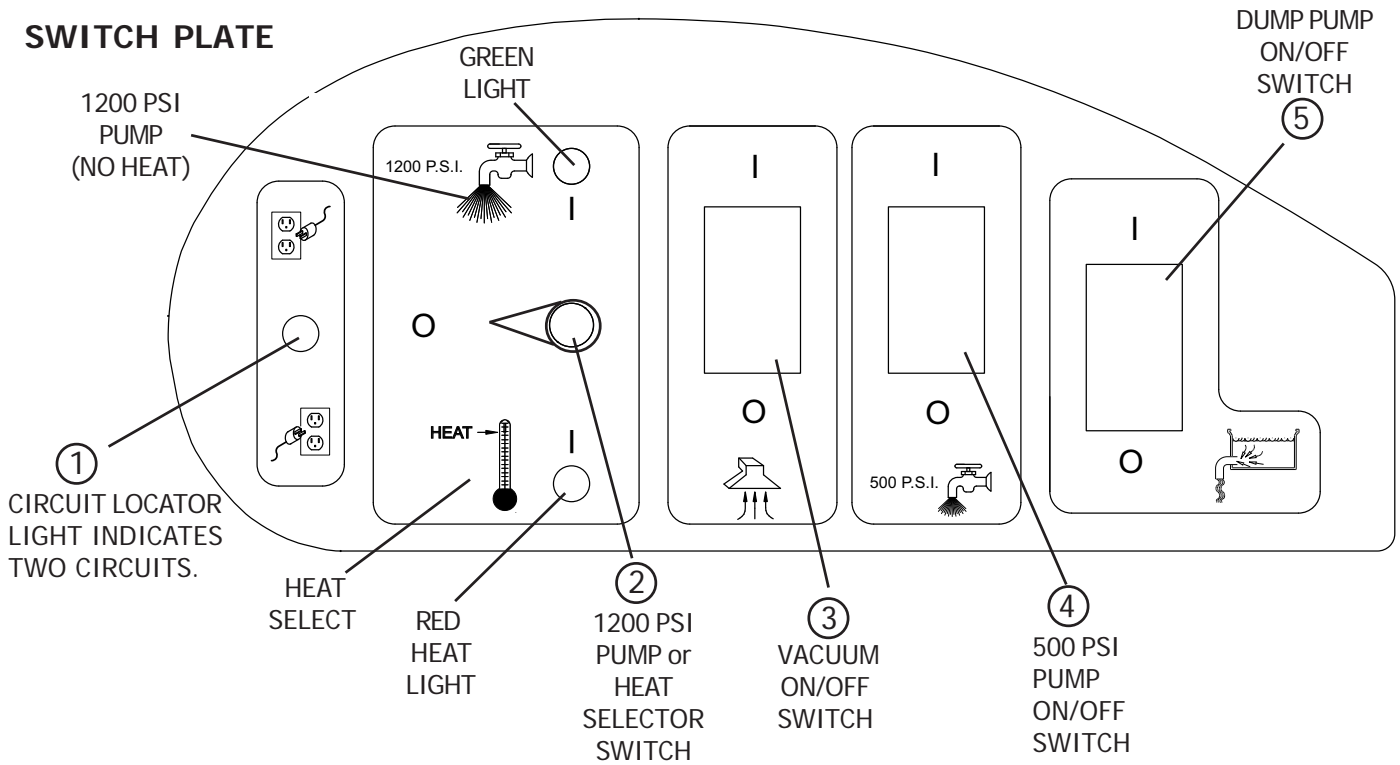
Purchase Date: \_\_\_\_\_

Write the name and phone number of your distributor: \_\_\_\_\_

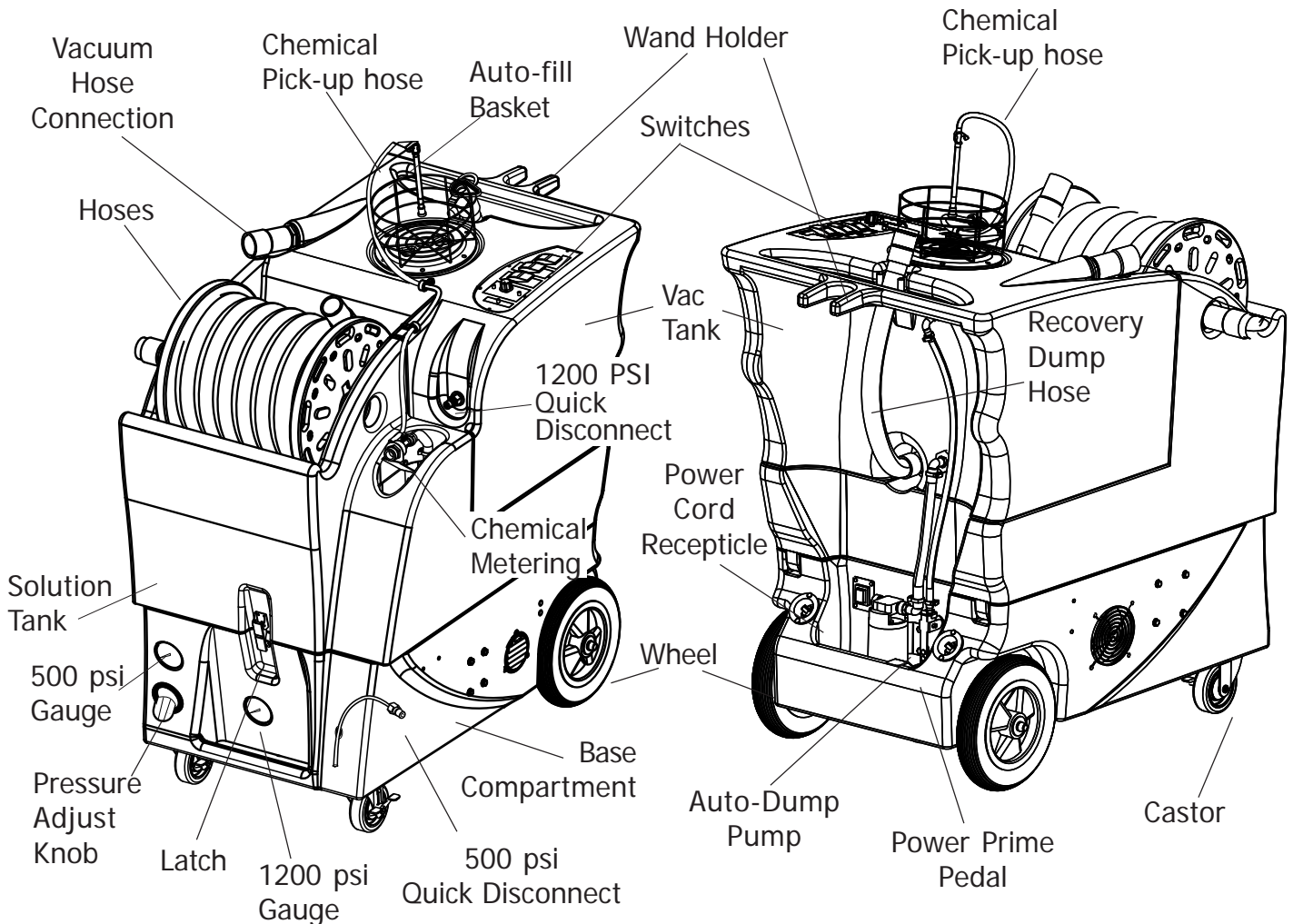
\_\_\_\_\_

\_\_\_\_\_

## SWITCH PLATE



## KC-1200/500



## OPERATION *REFER TO THE DIAGRAMS ON THE PREVIOUS PAGE*

### **1200 PSI HIGH PRESSURE WASHER**

1. Before each use, inspect the machine, hoses, and cleaning tools for cleanliness and completeness. Make sure the hoses are in good condition and the spray nozzle(s) is tight.
2. When not using the auto-dump feature, just make sure the brass cap is screwed tightly on the hose connector fitting on the rear of the machine. If you choose to use the auto-dump, connect the dump hose to brass hose fitting on the back of the machine, and place the open end of the hose in a drain. Make sure the drain hose (recovery tank) is closed, and the lid is tight on the recovery tank.

#### **REFER TO THE AUTO-FILL AND AUTO-DUMP INSTRUCTIONS ON THE FOLLOWING PAGES.**

3. If you choose to use the auto-fill feature, connect the fill hose to the auto-fill valve (located over the solution tank fill hole). Place your gallon of chemical in the chemical basket on the recovery tank lid, and put the weighted foot valve into the gallon. Turn on the water source, and allow the tank to fill with solution. When using the auto-fill system, the auto-fill valve will automatically turn on and turn off as the tank empties and then fills. **NOTE:** If you are not going to use the auto-fill system, just fill the tank with water and cleaning chemical. Follow chemical directions regarding dilution and mixing. Do not use harsh chemicals; they may damage seals in pumps and valves, and cause the pump to wear prematurely. **NOTE:** Never use water with a temperature exceeding 130 °F / 54 °C.

#### **REFER TO THE AUTO-FILL AND AUTO-DUMP INSTRUCTIONS ON THE FOLLOWING PAGES.**

4. Pre-spray the area to be cleaned, with a pump-up sprayer, while the tank is filling. Follow chemical directions.
5. Connect the solution hose (from the reel) to the 1200 PSI Quick Disconnect on the front of the tank, below the switch plate.
6. Plug in the two power cords. Do not connect both cords to the same outlet. The green, 'separate circuit' locator light **(1)** on the switch plate should light up. If the locator light does not come on, check the circuit breaker box in the wall, and/or try different outlets until it does turn on. Although all systems in the machine may work correctly if you are not on two circuits, a circuit breaker in a wall panel may trip. If you make sure the green light is turned on, you will prevent tripped circuit breakers. Turn on the 1200 PSI pump by placing the HIGH PRESSURE/HEAT selection switch **(2)** in the UP position, to select the 1200 PSI Pump. **NOTE:** both the 1200 PSI pump and the heat can not operate at the same time. **NOTE:** this switch **(2)** is off when it is set to the middle position and neither the 1200 PSI pump nor the heater is selected.
8. Prime the 1200 psi pump using the 'power prime' system: turn on both the pump and the vacuum **(3)**, cover the hole in the vacuum hose barb on the top of the machine with your hand, then depress the Power Prime Pedal (located on the back of the machine). This will pull trapped air through the pump and into the recovery tank, priming the pump. You should notice a change in the 'tone' of the pump (smoother, with less rattle), and the water being pulled into the recovery tank will change from a white, sputtering flow to a clear, solid stream. **NOTE:** priming requires a full Holding tank, and it may take between 20 to 90 seconds. Once the pump has primed, release the Power Prime Pedal, and turn both the pump and the vacuum off. Momentarily depress the Power Prime pedal again to release any built-up back pressure. Proceed to Step 9.



**CAUTION: Use care when handling hazardous chemicals.**  
**CAUTION: Never leave the machine running when you are not actively using it.**  
**DANGER: Do NOT use solvents, or any chemicals that may be flammable, explosive, or combustible.**

## **OPERATION OF THE 1200 PSI PUMP CONTINUED:**

9. Add defoamer to the recovery tank.
10. Your machine has two solution outputs. The solution output for the 1200 psi pump is a quick disconnect located just below the fill hole on the holding tank, on the front face of the machine (the 500 psi outlet is a quick disconnect on the end of a short length of hose, on the front of the base section of the machine). Attach the solution spray hose from the reel to the 1200 psi solution quick disconnect. Attach the vacuum hose on the reel to the hose barb on the front of the recovery tank. Pull the hoses out from the reel. Attach the other ends of the hoses to the cleaning tool.
11. Turn on the vacuum **(3)** and turn on the dump pump **(5)**, if you have set-up the dump hose. Begin cleaning. **NOTE:** the dump pump will automatically turn on and turn off as the tank fills and then empties (refer to drawings on next pages).
12. When the job is finished, turn off the water source (if you are using the auto-fill feature), and turn off the pumps. Disconnect the vacuum hose from your cleaning tool, and vacuum any remaining solution from the holding tank into the recovery tank.
13. Completely drain the recovery tank by pouring the dirty water out through the drain hose on the rear of the machine. Disconnect the solution hose from the cleaning tool, and reel the hoses onto the hose spool.
14. Unplug the power cords.
15. Clean the machine and the tool. Never store your machine outside, and keep it from getting too hot or too cold.

## **OPERATION**

### **500 PSI AND HEAT**

1. Before each use, inspect the machine, hoses, and cleaning tools for cleanliness and completeness. Make sure the recovery tank drain hose is closed, and the lid is tight on the recovery tank. Make sure the hoses are in good condition and the spray nozzle(s) is tight.
2. If you choose to use the auto-dump, connect the dump hose to brass hose fitting on the back of the machine, and place the open end of the hose in a drain. Make sure the drain hose, on the rear of the recovery tank, is closed and the lid is tight on the recovery tank. If you choose not to use the auto-dump feature, make sure the brass cap is screwed onto the hose connector on the back of the machine and the dump pump switch is turned off. Refer to drawings on following pages.

#### **REFER TO THE AUTO-FILL AND AUTO-DUMP INSTRUCTIONS ON THE FOLLOWING PAGES.**

3. If you choose to use the auto-fill feature, connect the fill hose to the auto-fill valve over the solution tank. Place your gallon of chemical in the chemical basket, and put the weighted foot valve in the gallon. Connect the other end of the hose to the water source. Turn on the water and allow the tank to fill with solution -- a float in the tank will shut off the water flow once the tank is full. If you are not going to use the auto-fill system, just fill the tank with clean water and a liquid cleaning chemical. Follow chemical directions regarding dilution and mixing. **CAUTION:** Do not use harsh chemicals in your King Cobra 1200 Pro; they may damage seals in pumps and valves and could cause the pump to wear prematurely. **NOTE:** using warm water in the tank may improve the efficiency of the heat exchanger when cleaning with heat, but never use water with a temperature exceeding 130 °F / 54 °C.

## **OPERATION OF THE 500 PSI PUMP and HEAT CONTINUED:**

4. Select 'HEAT" by moving the HEAT/HIGH PRESSURE switch **(2)** towards the thermometer symbol.  
**NOTE:** this switch is off when it is set to the middle position and neither the 1200 PSI pump nor the heater is selected. When set to the bottom position, the heat is selected; the red light will come on and stay on. **NOTE:** The heater and the 1200 PSI pump can not operate at the same time.
5. Plug the power cords into separate circuits. The green, circuit locator light **(1)** on the switch plate should light up. If the locator light does not come on, check the circuit breaker box in the wall, and/or try different outlets until it does turn on. Although all systems in the machine may work correctly if you are not on two circuits, a circuit breaker in a wall panel may trip. If you make sure the green light is turned on, you will prevent tripped circuit breakers.
6. Press the '**power prime**' pedal (located on the rear, lower left of the machine) for a moment to release any back pressure in the pump lines.
7. Connect the priming/siphon hose to the 500 psi quick disconnect (lower, right, front on the end of a short hose) and turn on the pump **(4)**. The air should prime out of the pump within 20 - 60 seconds. Watch the water flow into the recovery tank through the lid. When the water is clear (no air in it) and flowing strongly, turn the pump off and remove the priming hose.
8. Connect the solution hose from the reel to the 500 PSI quick disconnect, and connect the vacuum hose from the reel to the hose barb on the top, left of the recovery tank. Connect both hoses to the cleaning tool.
9. Turn ON the 500 PSI pump **(4)**. Set the pump to the desired pressure by adjusting the pressure regulator cap (lower front) while you are spraying and watching the 500 psi pressure gauge. **NOTE:** the gauge will only read pressure while you are spraying.
10. Spray for a few seconds to fill the lines with solution. Wait two minutes to allow the heater to reach temperature.
11. Turn on the vacuum **(3)** and turn on the dump pump **(5)**. Begin cleaning. **NOTE:** the dump pump will automatically turn on and turn off as the tank fills and then empties (refer to drawings on following pages). It may take several cycles to heat the lines and the cleaning tool.
12. If you are not using the auto-fill and auto-dump features, turn off both the pump and vacuum when the solution tank gets low, fill the solution tank, and empty and clean the recovery tank.
13. When finished with the job, turn off the water source (if using Autofill). Vacuum the remaining solution from the holding tank into the recovery tank. Pump a few gallons of clean water through the system. Drain the recovery tank by placing the drain hose over a drain or into a bucket, and removing the cap. When the tank is empty, cap the drain hose and place it back in the velcro strap holder. Disconnect the hoses from the cleaning tool, and reel them up onto the hose spool.
14. Unplug the power cords. Clean the machine and the tool.

**ELECTRIC CIRCUIT LOCATOR:** This system will inform the operator when the two cords are plugged into separate circuits by turning on the green, circuit locator light. This helps to prevent tripping circuit breakers.

**NOTE:** if the green, circuit locator light does not illuminate when the cords are plugged in, then both cords are on the same circuit. Try other outlets with one of the cords until you get the locator light to come on.



# USING THE AUTO-FILL AND/OR AUTO-DUMP FEATURES

## AUTO-FILL

### **1 Chemical Supply:**

- Place the container of concentrated chemical cleaner -- use a product with a pH between 6 and 9 to avoid premature pump wear (which would void the warranty) -- in the holder on top of the recovery tank.
- Remove the cap on the container. Insert the end of the clear tubing with the foot valve into the container. **NOTE:** the stainless steel weight at the foot valve will keep the valve at the bottom of the chemical container.
- The chemical flow may be turned on or off by applying the pinch clamp to the tubing, between the chemical container and the auto-fill valve.

### **2 Chemical Injection Flow Rate:**

- Metering tips are used to control the rate at which the cleaning chemical feeds into the supply water. The following table illustrates the ratio of chemical, in ounces, to each gallon of water coming into the tank. The tips are color coded for ease of use.
- **NOTE:** the flow rate values in the table are based on a chemical with the same viscosity as water.

### **3 Operation:**

- Attach a 3/4" garden hose to the autofill valve, and connect the other end of the hose to your water source.
- Make sure the float that hangs from the autofill valve into the tank is free of obstruction and can move freely.
- Turn the water supply on.
- As the tank fills, the chemical concentrate will be drawn from the chemical container, will pass through the clear tubing to the valve, and will be mixed into the water stream.
- The autofill float will automatically shut-off the flow of incoming water when the tank is nearly full, and it will allow the valve to open again once the water level has dropped to a predetermined level.

<b>METERING TIP FLOW RATES</b>			
<b>COLOR</b>	<b>OZ/GAL</b>	<b>COLOR</b>	<b>OZ/GAL</b>
TAN	0.60	WHITE	3.00
ORANGE	0.70	GREEN	3.50
TUROUOISE*	1.00	BLUE	4.00
PINK	1.25	YELLOW	5.25
LIGHT BLUE	1.75	BLACK	6.75
BROWN	2.00	PURPLE	10.50
RED	2.75	GRAY	14.00

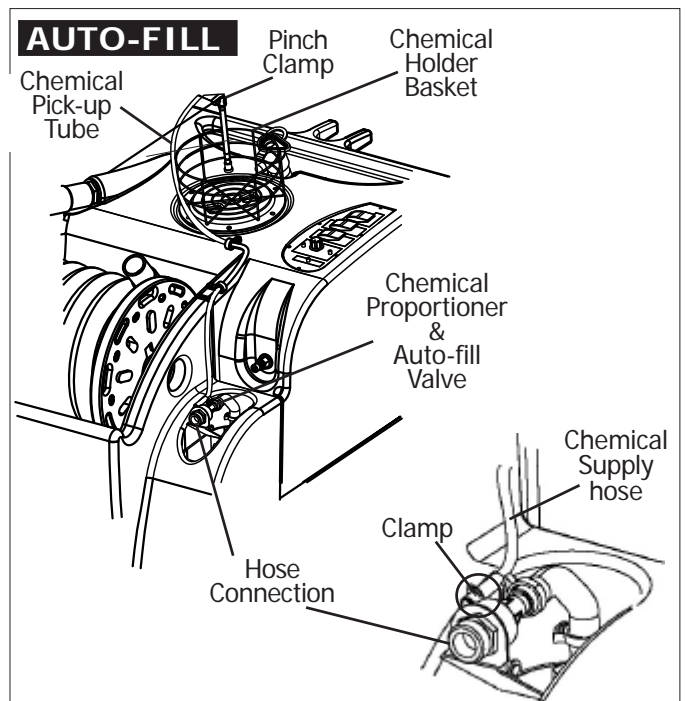
\* **NOTE:** the turquoise colored tip is factory installed (provides a 1 to 1 ratio -- see table).



**CAUTION:** Use care when handling hazardous chemicals.



**DANGER:** Do NOT use solvents, or any chemicals that may be flammable, explosive, or combustible.



To change the metering tip: find the plastic hose-clamp on the chemical feed tubing, near the Auto-fill valve. Refer to illustration above. Open the clamp by sliding the two ends of clamp (where they come together) apart, sideways, in opposite directions until the clamp opens. Then pull the clear chemical supply hose off the hose barb at the Auto-Fill valve. Unscrew the metering tip from the end of the hose barb. Select the tip that will provide you with the desired chemical ratio (see chart, above). Screw the selected tip into the end of the hose barb. Snug-up the tip, but do not overtighten. Slide the hose back over the tip and the hose barb. Install the clamp onto the hose so it is over the hose barb, and squeeze the clamp closed.



## AUTO-DUMP

### 1 Operation:

**Before each use:** if necessary, unscrew the stainless steel filter at the bottom of the recovery tank and clean it. Also make sure the float in the recovery tank is clean.

- Attach a 3/4" garden hose to the dump pump outlet fitting on the back of the base of the machine. Refer to illustration below
- Run the other end of the hose into a drain.
- Turn the dump pump switch ON (switch is located on the switch panel on the top of the machine).
- **NOTE:** the dump pump will only run when the tank is full enough to activate the float switch.
- **NOTE:** the dump pump is 'self-priming.' You should see water start to flow within 30 seconds of the pump turning on. If the water level in the tank is high enough to activate the float switch. If water does not begin to flow, check the filter to see if it is plugged with debris.

**After each job:** run clear water through the dump pump to wash out any chemical residue. Remove and clean the stainless steel filter in the back of the tank. Reinstall the filter once it is clean. Clean and empty the recovery tank.

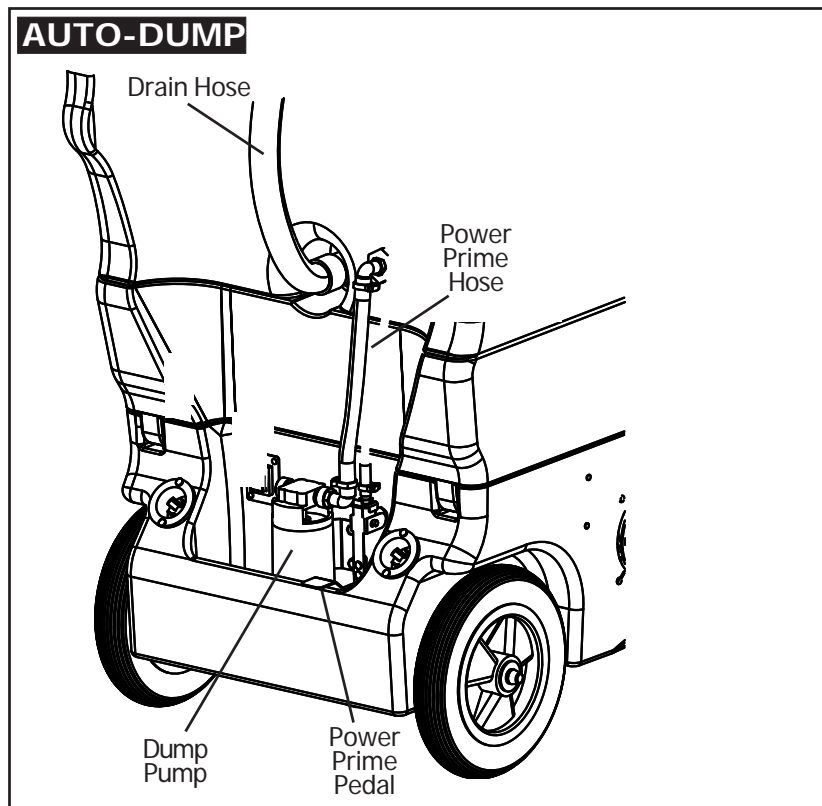


**DANGER: DO NOT USE SOLVENTS, OR ANY CHEMICALS THAT MAY BE FLAMMABLE, EXPLOSIVE OR COMBUSTIBLE.**

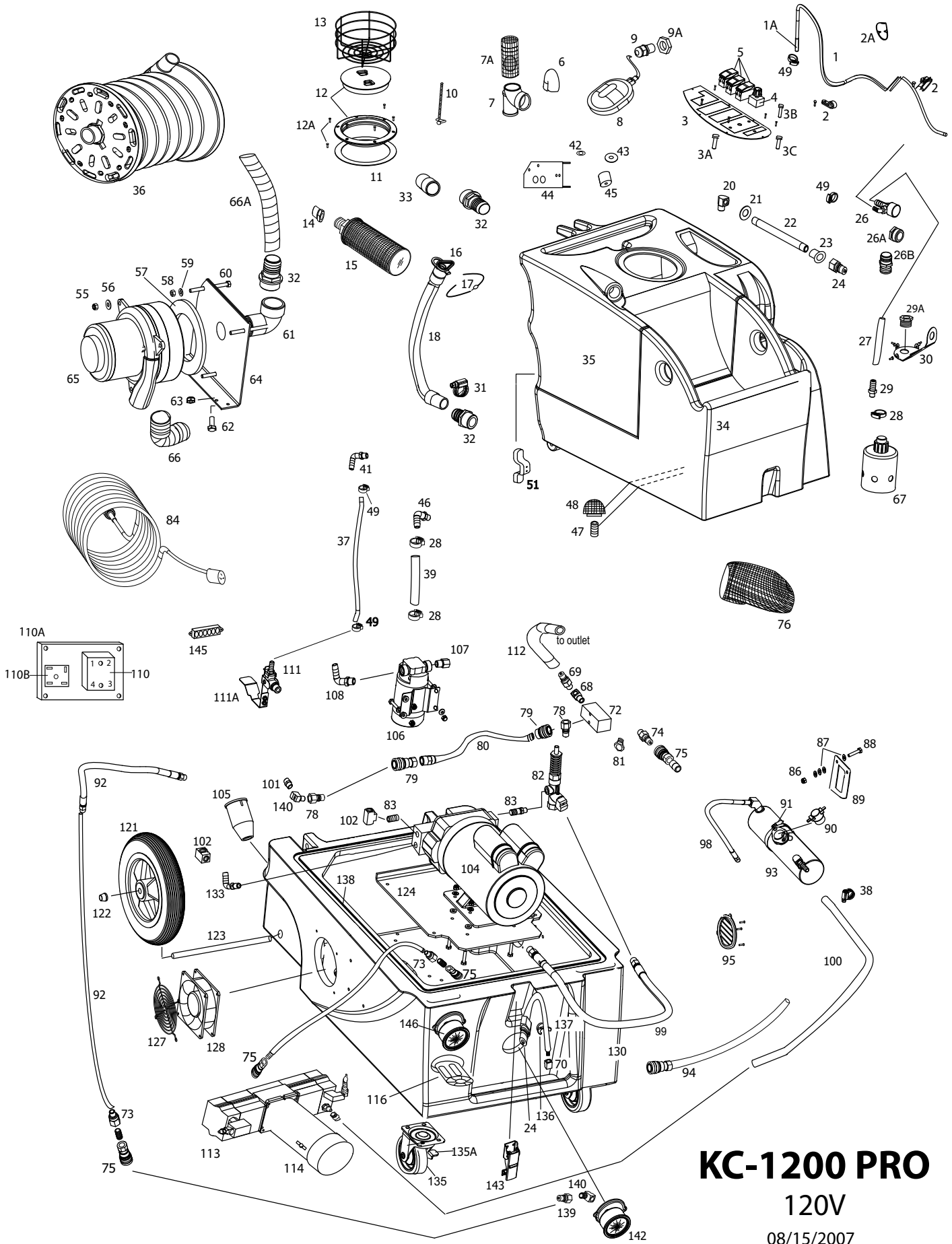


**CAUTION: always use a defoamer in the recovery tank to prevent water or foam from entering the vacuum motor.**

**CAUTION:** if the dump pump is not going to be used for a month or longer, remove the pump impeller cover, pull the rubber impeller out, clean it and apply a generous coating of petroleum jelly to the impeller before replacing it in the pump. Make sure the gasket is in place and in good condition before you screw the impeller cover back on.



**DANGER: always unplug the King Cobra from the electrical outlet(s) before cleaning or maintaining. Certain internal components are electrically live, even with switches in their OFF position.**



**KC-1200 PRO**  
**120V**  
 08/15/2007

# KING COBRA-1200 PRO

## PART LIST

120 V

ITEM	PART No.	DESCRIPTION	ITEM	PART No.	DESCRIPTION	ITEM	PART No.	DESCRIPTION
1	FP500	Hose, Chemical Pick-up, complete	51	CWKC-BLK	Cord Wrap, black	116	FP509	Unloader complete
1A	1199	Check valve & filter	55	7	Locknut, 5/16" jam	121	2084A	Wheel, 10"
2	79B	Wire tie, white, 8"	56	15	Washer, flat, 5/16"	122	27A	Axle cap
2A	1323	Clamp, quick, pinch opening	57	959	Gasket, for vacuum	123	1105	Axle, 1/2" X 21"
3	1303	Switch Plate	58	320AB	Nut, finish, 5/16	124	1158	Plate, pump mounting
3A	78	Light, green, 1200 psi pump	59	34	Washer, split lock	127	2015	Guard, fan
3B	78B	Light, red, heat	60	179	Bolt, 5/16 X 4"	128	2014	Fan, cooling, 100CFM
3C	227	Light, green, dual circuit	61	1131	Elbow, PVC	130	BKCR BLK	Base compartment, black
4	FP417	Switch, 3-way selector, with knob	62	5	Bolt, 1/4-20 X 3/4"	133	1081	Elbow, 90 degree, pump inlet
5	FP345	Switch, ON/OFF, with actuator	63	8	Locknut, 1/4-20	135	905	Castor, 4"
6	921	Elbow, PVC	64	926	Manifold, vacuum	135A	905A	Brake, for castor
7	1140	PVC, "T"	65	FP323	Vacuum motor, w/gasket, complete	136	1413	Clip Holder, for hose
7A	929A	Vac shut-off ball, vacuum inlet	66	430	Vacuum hose, 1-1/2" X 7.75"	137	FP416	Hose assy, low press. outlet
8	2068	Float, Auto-dump	66A	1136	Vacuum hose, 1-1/2" X 25 , clear	138	1043A	Gasket
9	230	Cord Retainer, water tight	67	1310A	Float, Auto-fill, high temp.	139	219	Quick disconnect, male
9A	230A	Nut, nylon	68	216	Elbow, 90 degree	140	91	Elbow, 90 degree
10	805	Chain, lid retaining	69	221	Quick disconnect, male, open	142	1165	Gauge, 2000 psi pressure
11	1074	Gasket, recovery lid	70	1280	Elbow, brass, 1/4 fpt X 1/4 fpt	143	908A	Latch
12	2086	Lid, and ring, 6"	72	1306A	Manifold, fluid direction	145	1327	Terminal Block
12A	1156	Screw, 8-32 x 1-1/8"	73	210	Pulsation 'Snubber'	146	951B	Gauge, 500 psi pressure
13	1169	Basket, chemical container	74	221	Quick disconnect, male, open			
14	937	Bushing, PCV	75	220	Quick disconnect, female, open			
15	2069	Filter, Auto-fill	76	2088	Pre-filter, vacuum inlet			
16	1060C	Plug, drain hose	78	219	Quick Disconnect, male, open			
17	1130	Strap, velcro	79	220	Quick Disconnect, female, open			
18	1060B	Hose, drain	80	1162	Hose, power prime inlet, 32"			
20	91	Elbow, 90 degree, brass, 1/4 mpt	81	211	Plug, 1/4 mpt			
21	1141	Washer, S/S	82	1163	Valve, pressure regulator, 1200 psi			
22	1146	Pipe, S/S, 1/4 mpt both ends	83	92A	Nipple, S/S, 1/4 mpt			
23	1143	Spacer, insulated	84	1057B	Power Cord	1160K		Pump valves & o-rings, 1200 psi
24	45	Quick Disconnect male, 1/4 pt	86	8	Lock nut, 1/4-20	1160A		Pump, plunger and seals, 1200 psi
25	1184	Hose connector, inlet water supply line	87	233	Washer, nylon, black	1159		Motor, 1.5 HP, for 1200 psi pump
26	1307	Valve, auto fill, with metering barb	88	4	Bolt, 1/4-20 X 1"	953A		Metering tip replacement kit
26A	1184	Adapter, garden hose	89	455	Bracket, heater mount	FP256		Heat repair kit, includes cutout, bimetallic switch, & heat sink grease
26B	1200	Connector, garden hose male	90	399	Thermostat switch	FP372		Pump w/hose, unloader, cam & bearing & no motor
27	1308A	Hose, from autofill valve to float, 1/2" X 5"	91	76	Hose Clamp, 2-3/4"			
28	1400	Clamp, hose, quick disconnect	92	FP420	Hose, Pump to Gauge, complete			
29	1189	Hose Barb, 1/2" hose, mpt	93	FP512	Heat Exchanger, complete			
29A	1188A	Bushing	94	SYP1	Priming hose, for 500 psi			
30	1320	Bracket, Auto-fill valve mounting	95	928	Louver, 3", includes screws			
31	156	Hose clamp, 2-1/4"	98	FP534	Hose, heater to outlet			
32	907	Hose Barb, 1-1/2" hose	99	1162	Hose Assembly, 32", bypass			
33	1137	Adaptor, ABS, 1-1/2"	100	1581	Hose, 1/4" x 24" pump to heater			
34	HKCR-1	Holding Tank, white	101	141	Coupling, 1/4 fpt both ends			
35	VKCR-1	Recovery Tank, white	102	152	"T", brass/ 1/4 npt			
36	FP414	Reel, with hoses, complete	104	FP508	1200 psi pump & motor, complete			
37	1309	Hose, power prime outlet, 3/8" X 21.25"	105	1062	Recepticle, power cord			
38	166	Hose clamp	106	957	Pump, auto-dump			
39	1308	Tubing, 1/2" ID X 10"	107	1324	Hose Connector, dump pump out			
41	1115	Elbow, 90 deg, 3/8" hose X 1/4 mpt	108	1325	Elbow, auto-dump in			
42	290	Washer, rubber, 70 Durometer	110	4405A	Relay, 20 Amp			
43	1345	Washer, flat, S/S, 1/4"ID X 1" OD	110A	2025	Heat sink plate			
44	1350	Bracket, for auto fill float	110B	1579	Rectifier, bridge			
45	1349	Spacer, bushing	111	1164	Valve, power prime			
46	1113	Elbow, 90 deg, 1/2" hose X 1/2 mpt	111A	1299	Pedal, power prime			
47	92B	Nipple, PVC, 1/2 npt	112	FP415	Hose, manifold to outlet, Hi Press.			
48	207A	Filter, Pump inlet	113	FP507	500 psi pump, complete, no motor			
49	1402	Clamp, quick disconnect, small	114	1582	Motor, for 500 psi pump			

### MISCELLANEOUS PARTS

# KING COBRA® 1200 PRO

## 120V

### SPECIFICATIONS:

<b>Rotomolded Body:</b>	<b>Lifetime Warranty</b>
<b>Vacuum:</b>	<b>7.2" 3-stage, 140" of water lift</b>
<b>VAC Shutoff:</b>	<b>Ball Float</b>
<b>Pump:</b>	<b>Positive displacement, fully adjustable 0-500 psi &amp; Positive displacement, 1200 psi, 2.2 gpm</b>
<b>Heat:</b>	<b>2000 Watts, adjustable up to 212 °F</b>
<b>Capacity:</b>	<b>16 gallon solution tank; 14 gallon recovery tank</b>
<b>Cords:</b>	<b>two, detachable 12/3, hospital grade plugs</b>
<b>Size:</b>	<b>39" H X 21" W X 36" L</b>
<b>Autodump:</b>	<b>5.5 gpm with electronic shut-off</b>
<b>Wheels:</b>	<b>10", locking, non-marking</b>
<b>Hoses:</b>	<b>25 ft hoses on a reel (patent pending)</b>
<b>Plus:</b>	<b>Auto-fill Power Prime system</b>



208-772-0573 • 800-257-7982 • FAX: 208-772-0577

Coeur d'Alene, Idaho

VISIT US AT: <http://www.usproducts.com>